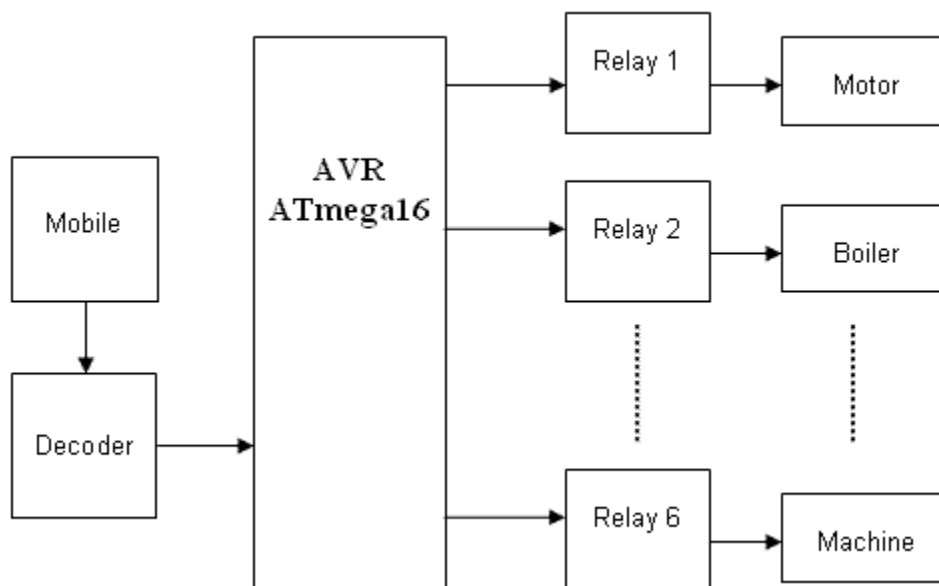


Industrial Automation Using Cellphone

Description:

Now days, marketing demands are increasing continuously. If you can't satisfy demand then you will knock out of the race. There is no time limit for work. So in modern industry, it needs to give alignment without going on field. Consider one case, that you are field engineer, company will start at 9 o'clock. But you have to turn on boiler at 7 o'clock to start working at 9 o'clock. In this case you have to go at 7 o'clock but by using this project you can start boiler by just giving command from your mobile. Boiler is just example you can turn on or turn off any controlling device.

Block Diagram:



Description: For giving command, you have to just call on the mobile on set which you have set on field. This mobile is on auto answering mode. This will receive your call. Then particular key is assigned to every controlling action. E.g. - key 1- turn on motor, key 2- turn off motor. Key 3- turn on machine etc. Such that by giving commands from mobile you can control industrial work. It is advantages for all type of industrial work.

Advantages:

1. No need to go on field.
2. Higher relibility.
3. Cost effective.
4. Fast efficient.

5. Six devices can be controlled by single key command

Applications:

1. Industrial automation.
2. Can also be used for security purpose after modification.
3. In places where control of action has not any time limit.